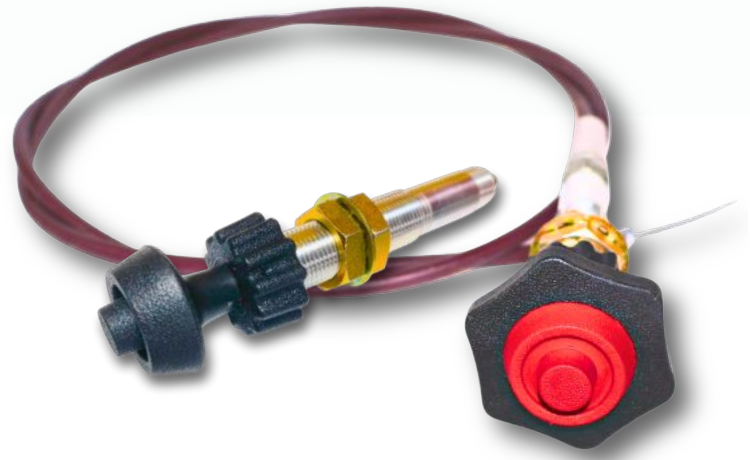


VERNIER CONTROL CABLES

[Orscheln's U.S.-made vernier control cable](#) provides precise, incremental adjustment for applications requiring both quick coarse movement and fine-tuned positioning. Engineered for environments where vibration, temperature shifts, and demanding conditions can impact performance, this cable ensures reliable accuracy, repeatability, and smooth operator control. Designed for situations where precision truly matters, it delivers stable, user-friendly adjustment in every setting.



Features

- *Available with F.A.S.T. Distributors*
- Light Duty 3 Series
- Heavy Duty 3 & 4 Series
- Polymber Coated 1X7 Wire Rope
- .075 Solid Stainless Steel Core
- Temperature -65 to +225 °F Standard

How To Order

Vernier cable control heads may be ordered as a complete assembly (head and cable attached) or separately. Order the desired control head using the two-digit number 90, 92, 94, 73, or 75. Order the cable using the five-digit number from "Building a Part Number." To order a complete assembly, combine the control head number with the desired cable number. Example: if you desire control head #94 and cable #33092, then combine to make the assembly part number X94-33092-length.

Load Rating: Maximum 20 lbs. is recommended.

Light Duty 3 Series

Specifications				
Travel	Bulkhead End		Clamp End	
	DIM "A" Inch/(mm)	DIM "B" Inch/(mm)	DIM "C" Inch/(mm)	DIM "D" Inch/(mm)
1.0 (25.4)	3.00 (76.2)	4.94 (125.5)	2.31 (58.7)	4.25 (108.0)
2.0 (50.8)	4.00 (101.6)	6.94 (176.3)	3.31 (84.1)	6.25 (158.8)
3.0 (76.2)	5.00 (127.0)	8.94 (227.1)	4.31 (109.5)	8.25 (209.6)
4.0 (101.6)	6.00 (152.4)	10.94 (277.9)	5.31 (134.9)	10.25 (260.4)
5.0 (127.0)	7.00 (177.8)	12.94 (328.7)	6.31 (160.3)	12.25 (311.2)

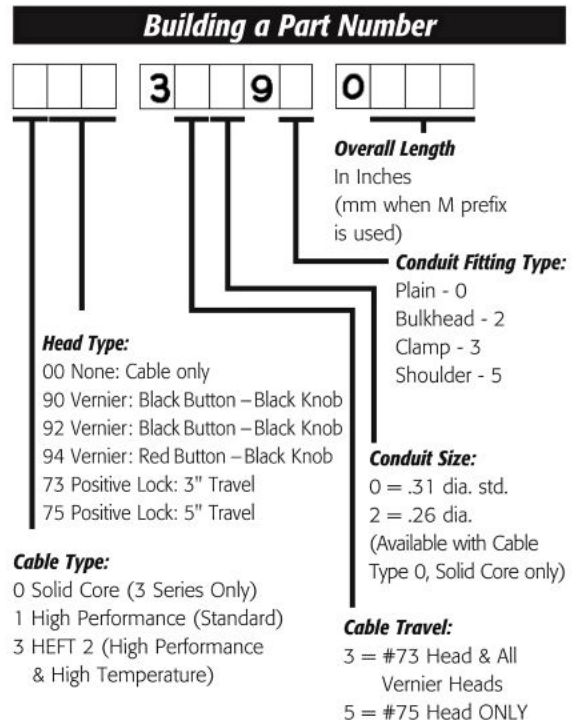
☐ Using #75 Head

Heavy Duty 3 & 4 Series

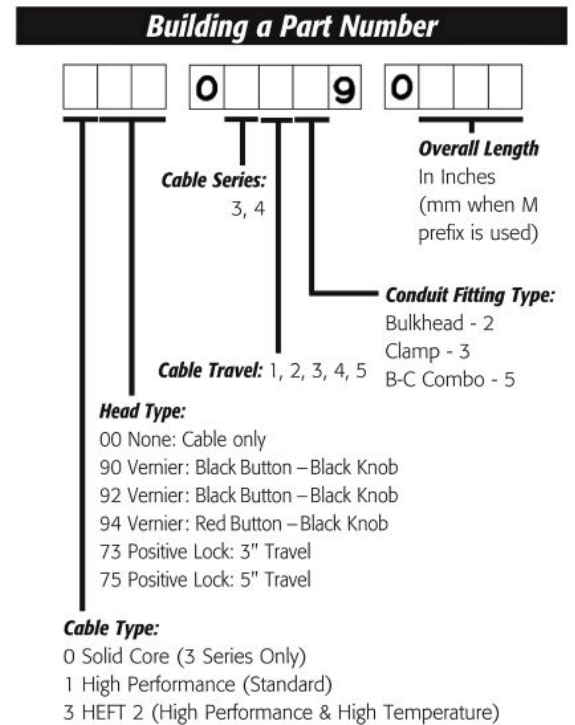
Specifications				
Travel	Bulkhead End		Clamp End	
	DIM "A" Inch/(mm)	DIM "B" Inch/(mm)	DIM "C" Inch/(mm)	DIM "D" Inch/(mm)
1.0 (25.4)	3.13 (79.5)	5.19 (131.8)	2.50 (63.5)	4.56 (115.8)
2.0 (50.8)	4.13 (104.9)	7.19 (182.6)	3.50 (88.9)	6.56 (166.6)
3.0 (76.2)	5.13 (130.3)	9.19 (233.4)	4.50 (114.3)	8.56 (217.4)
4.0 (101.6)	6.13 (155.7)	11.19 (284.2)	5.50 (139.7)	10.56 (268.2)
5.0 (127.0)	7.13 (181.1)	13.19 (335.0)	6.50 (165.1)	12.56 (319.0)

☐ Using #75 Head

Light Duty 3 Series



Heavy Duty 3 & 4 Series



INDUSTRIES
WE SERVE

ON-HIGHWAY

MARINE

OFF-HIGHWAY

AEROSPACE

DEFENSE

ORSCHELNPRODUCTS.COM