

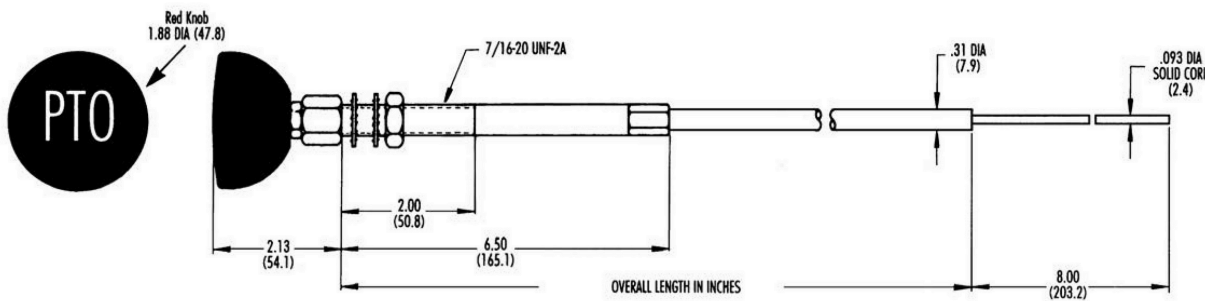
PTO CONTROL CABLES

Made-In-USA. [Orscheln's PTO \(Power Take-Off\) control cable](#) is a durable push-pull cable engineered for smooth, reliable engagement of PTO equipment in demanding on- and off-highway applications. **Available through our F.A.S.T. Distributors**, it features a .093 solid stainless-steel core, full 5" travel, a tight 6" bend radius, and a wide operating temperature range of -65°F to +225°F. Built for consistent performance, it delivers dependable Power Take-Off operation wherever rugged control is required.

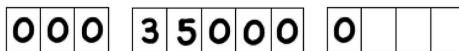


*Red Knob = Standard

How To Order



Building a Part Number



Overall Length
 In Inches
 (mm when M
 prefix is used)

INDUSTRIES
 WE SERVE

ON-HIGHWAY

MARINE

OFF-HIGHWAY

AEROSPACE

DEFENSE